

DRW57-001 SHEET 1 OF 2
 5.0L / 5.7L CARBURATED ALPHA / BRAVO

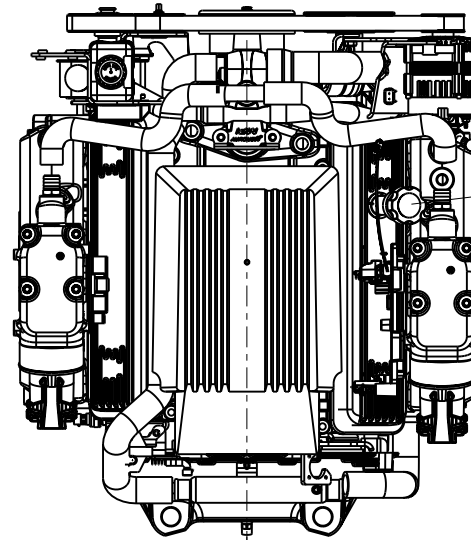
UNIT OF MEASURE
 in. (mm)

SCALE
 1" = 1'
 25.4 mm = 305 mm

- NOTES:
- (1) DIMENSIONS REQUIRE A MINIMUM OF 1/2 in. (13 mm) CLEARANCE FOR MOTOR MOUNT DEFLECTION.
 - (2) INNER AND OUTER SURFACES OF TRANSOM MUST BE PARALLEL WITHIN 1/8 in. (3 mm) IN AREA COVERED BY TRANSOM PLATES AND REMAIN WITHIN TRANSOM THICKNESS LIMITS.
 - (3) REFER TO "TRANSOM CUTOUT" IN THE INSTALLATION MANUAL TO FIND THE CRANKSHAFT CENTERLINE VS. BOAT BOTTOM.

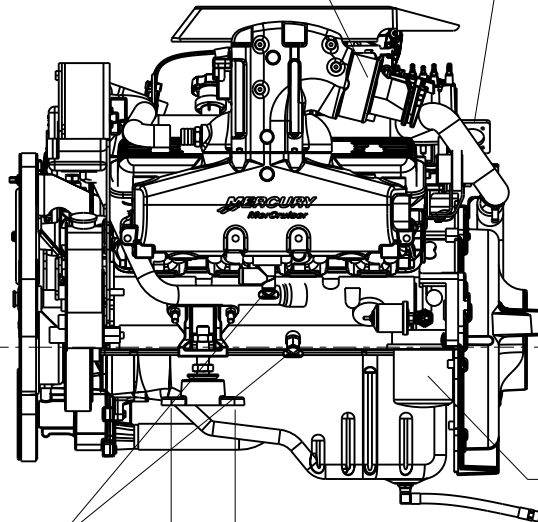
NOTES:

- (1) DIMENSIONS REQUIRE A MINIMUM OF 1/2 in. (13 mm) CLEARANCE FOR MOTOR MOUNT DEFLECTION.
- (2) SELECT THE APPROPRIATE EXHAUST RISE-HEIGHT TO MAINTAIN A MINIMUM OF 13 in. (330mm) BETWEEN THE TOP OF THE EXHAUST ELBOW AND THE WATERLINE OF THE BOAT AT MAXIMUM RATED LOAD.
- (3) EXHAUST OUTLETS MUST BE ABOVE WATERLINE OF BOAT AT MAXIMUM RATED LOAD.



OIL FILL
CAP

EXHAUST OUTLET
Ø4 [102] X 2 [51] LONG
(2)(3)



10 PIN
ELECTRICAL
HARNESS
RECEPTACLE

CIRCUIT
BREAKER

THROTTLE
CABLE
CONNECTION

IGNITION
CONTROL
MODULE (ICM)

(-) BATTERY
TERMINAL
CONNECTION

CRANKSHAFT
CL

SHIFT CABLE
CONNECTION

25-1/8
[638]
WITH 4.8" RISER
(1)(2)

23-7/16
[595]
WITH 3" RISER
(1)(2)

22-1/8
[562]
WITH 1.7" RISER
(1)(2)

20-3/8
[517]
(1)(2)

3-5/8
[92]

MOUNTING
BRACKETS ADJUST
1/2 in. [13MM]
UP OR DOWN

OIL FILTER

DRAIN
PLUGS

4
[102]
(1/2 [12] NOM DIA BOLT HOLES)